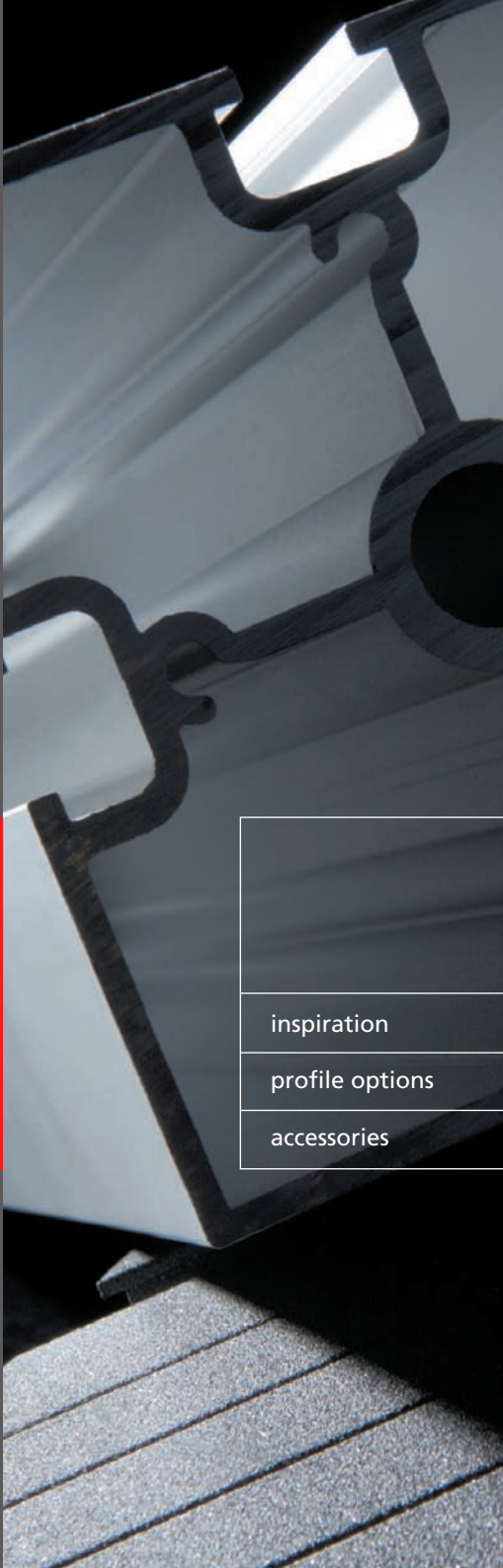




United Aluminium



//stand construction system

inspiration

profile options

accessories

a guide to pre-cut post, beam and door components

stand construction system

unibox[®]
exhibition system

//introduction

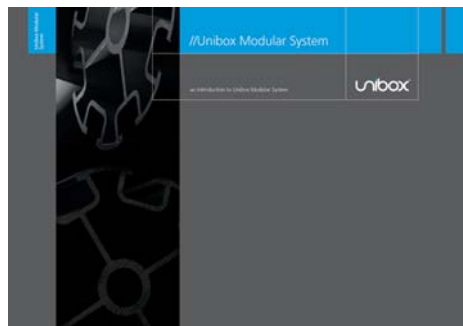
This guide details elements of the Unibox Modular System available in prefabricated sizes and configurations.

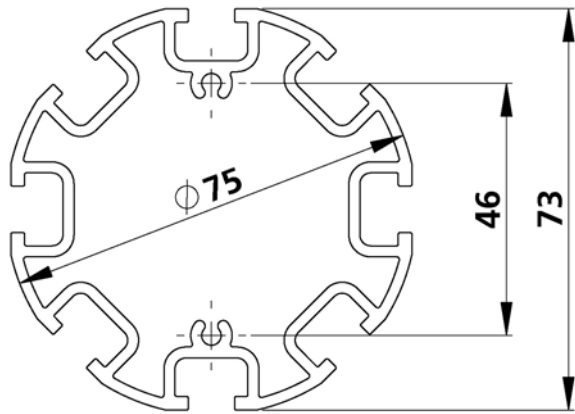
- All items available from stock for express delivery.
- Post profiles in cut and de-burred lengths.
- Beam profiles configured to straight and curved cut sizes with factory fitted profile locks.
- Factory assembled access and cupboard door kits.
- Bespoke size items available by special request on quick turnaround.

For other accessories to complement your stand build please refer to the main Unibox Modular System catalogue. Here you will find foot plates, profile end caps, articulating knuckles, spider panel clamps, and many more vital components.

//contents

	page
Post profiles.....	1
Straight profile beams.....	7
Curved profile beams.....	12
Door kits.....	16



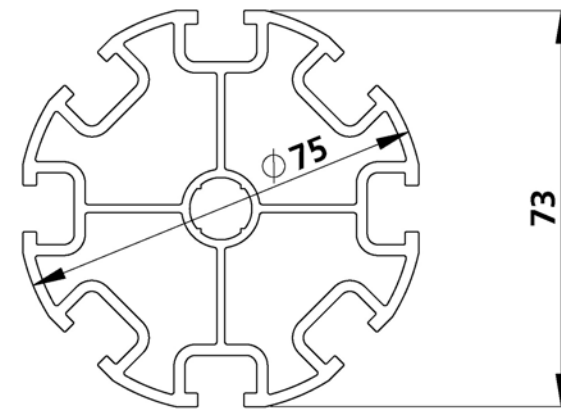


Finish: satin silver anodised
Lengths:

- ua4957 x 2400mm
- ua4957 x 1200mm
- ua4957 x 900mm
- ua4957 x 600mm

Ø75mm eight way cylinder profile

ua4957 post

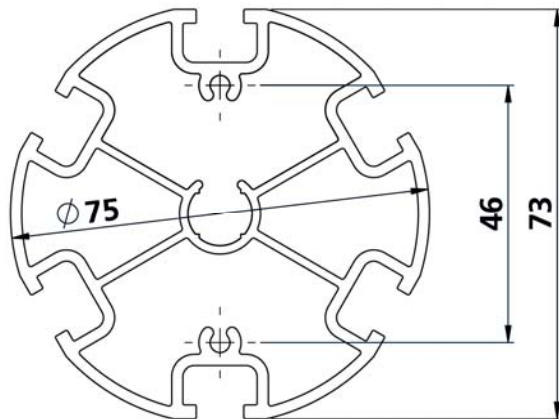


Finish: satin silver anodised
Lengths:

- ua4224 x 2400mm
- ua4224 x 1200mm
- ua4224 x 900mm
- ua4224 x 600mm

Ø75mm eight way cylinder profile
with centre boss

ua4224 post

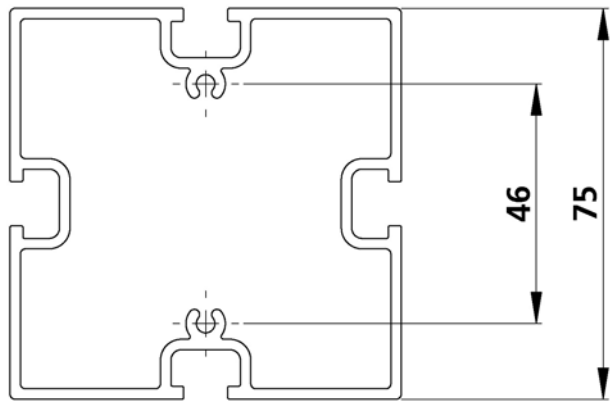


Finish: satin silver anodised
Lengths:

- ua4386 x 2400mm
- ua4386 x 1200mm
- ua4386 x 900mm
- ua4386 x 600mm

Ø75mm six way cylinder profile

ua4386

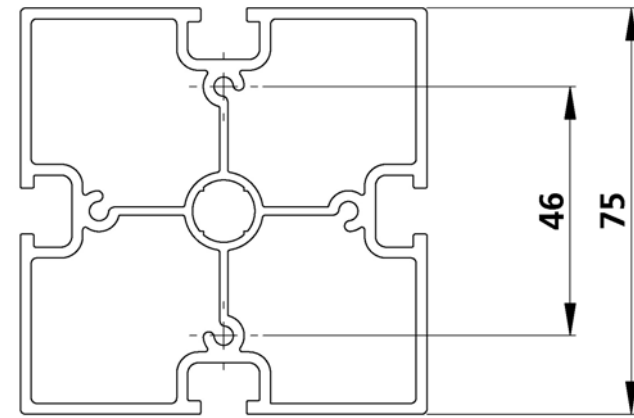


Finish: satin silver anodised
Lengths:

- ua4369 x 2400mm
- ua4369 x 1200mm
- ua4369 x 900mm
- ua4369 x 600mm

75mm four way square profile

ua4369 post

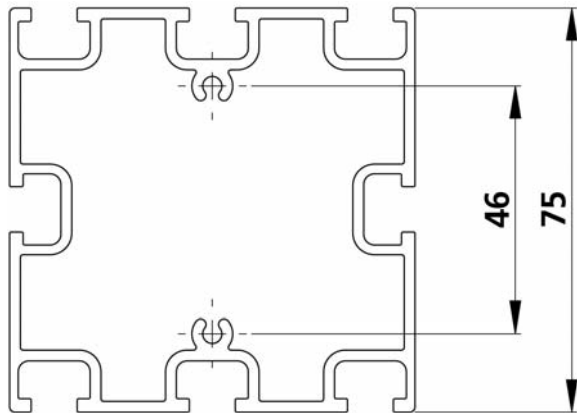


Finish: satin silver anodised
Lengths:

- ua4688 x 2400mm
- ua4688 x 1200mm
- ua4688 x 900mm
- ua4688 x 600mm

75mm four way square profile
with centre boss

ua4688 post

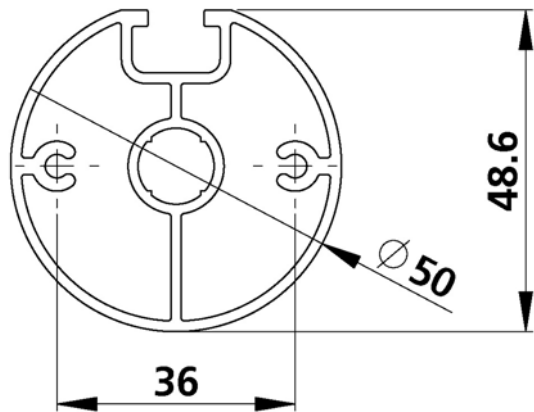


Finish: satin silver anodised
Lengths:

- ua5517 x 2400mm
- ua5517 x 1200mm
- ua5517 x 900mm
- ua5517 x 600mm

75mm eight way square profile

ua5517 post

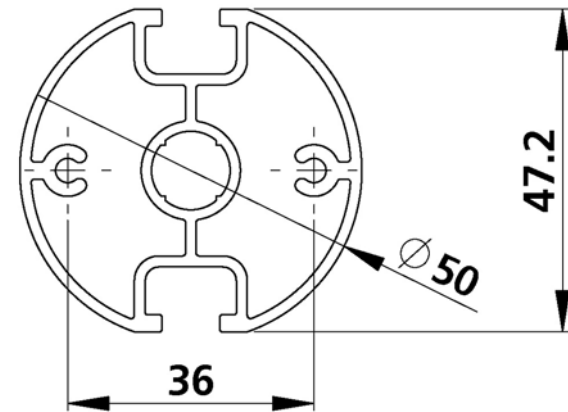


Finish: satin silver anodised
Lengths:

- ua4697 x 2400mm
- ua4697 x 1200mm

Ø50mm one way cylinder profile

ua4697 post

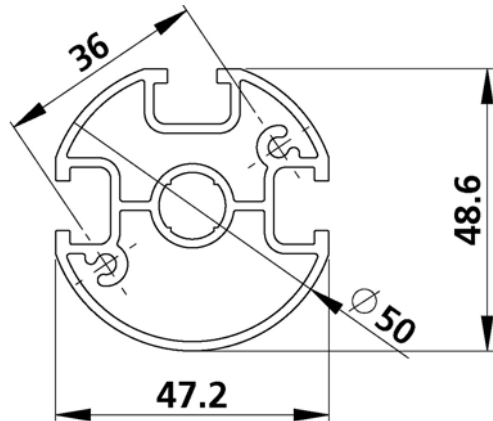


Finish: satin silver anodised
Lengths:

- ua4698 x 2400mm
- ua4698 x 1200mm

Ø50mm two way cylinder profile

ua4698 post

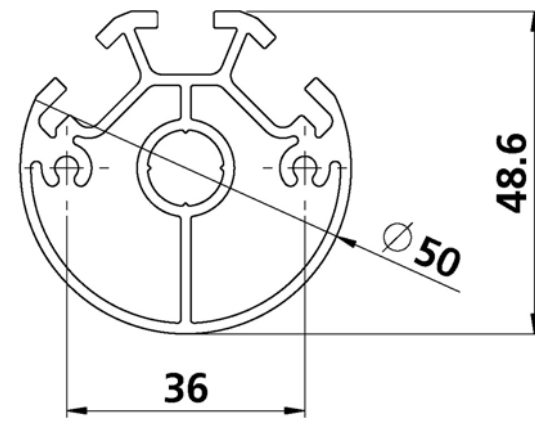


Finish: satin silver anodised
Lengths:

- ua4699 x 2400mm
- ua4699 x 1200mm

Ø50mm three way cylinder profile

ua4699 post

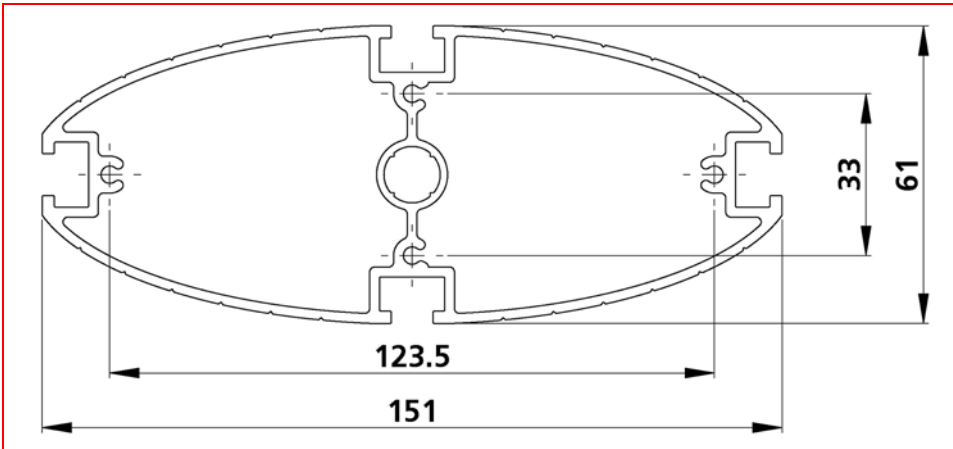


Finish: satin silver anodised
Lengths:

- ua4930 x 2400mm
- ua4930 x 1200mm

Ø50mm 45°/90° three way
cylinder profile

ua4930 post

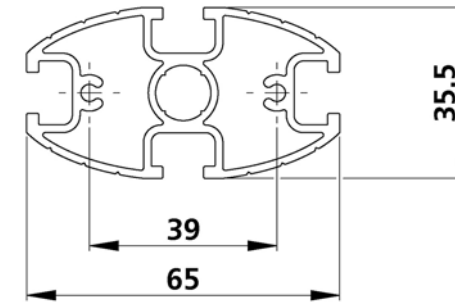


Finish: satin silver anodised
Lengths:

- ua3551 x 2400mm
- ua3551 x 2000mm
- ua3551 x 1200mm
- ua3551 x 1000mm

151 x 61mm elliptical profile

ua3551 post

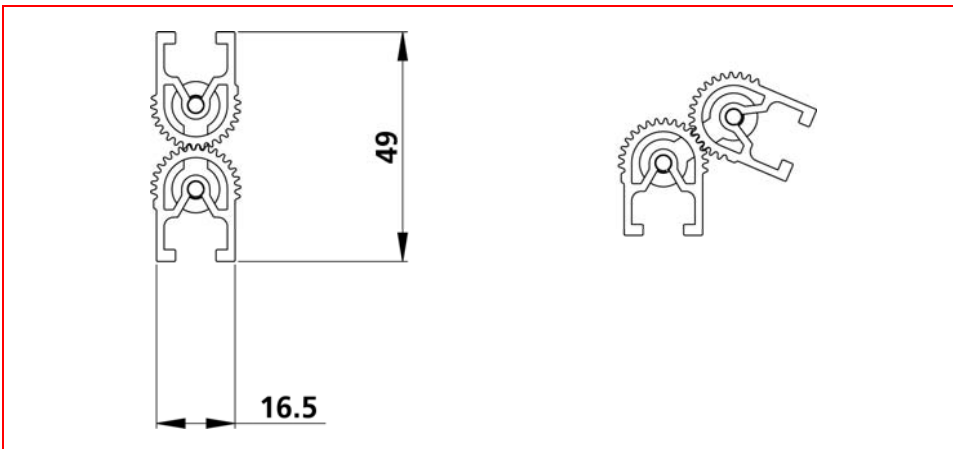


Finish: satin silver anodised
Lengths:

- ua6389 x 2400mm
- ua6389 x 1200mm

65 x 35.5mm elliptical profile

ua6389 post

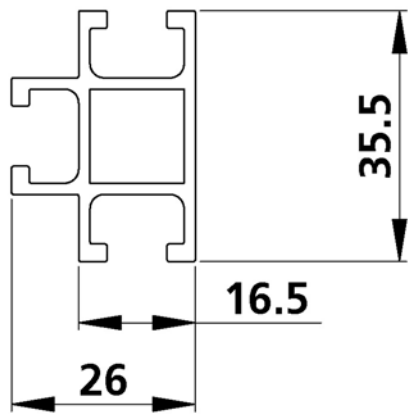


Finish: satin silver anodised
Lengths:

- ua6800 x 50mm
- ua6800 x 100mm
- ua6800 x 152mm
- ua6800 x 1000mm
- ua6800 x 1200mm

Two way geared hinge profile

ua6800 post

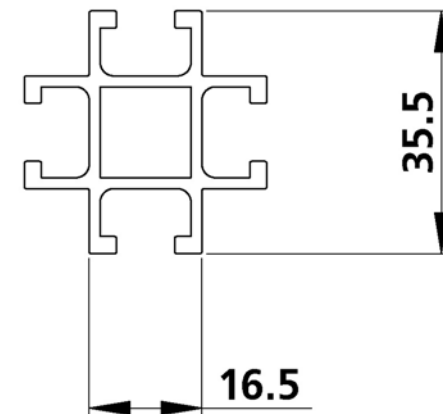


Finish: satin silver anodised
Lengths:

- ua4696 x 2400mm
- ua4696 x 1200mm

three way profile

ua4696 post

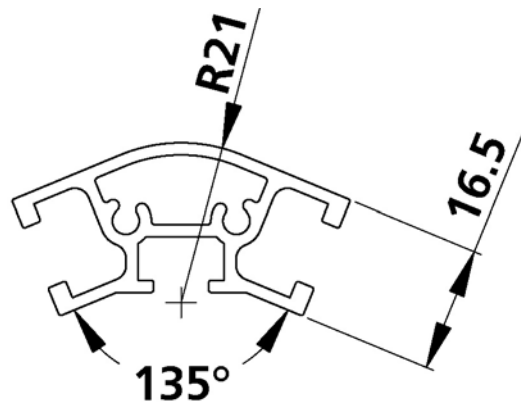


Finish: satin silver anodised
Lengths:

- ua6222 x 2400mm
- ua6222 x 1200mm

four way profile

ua6222 post

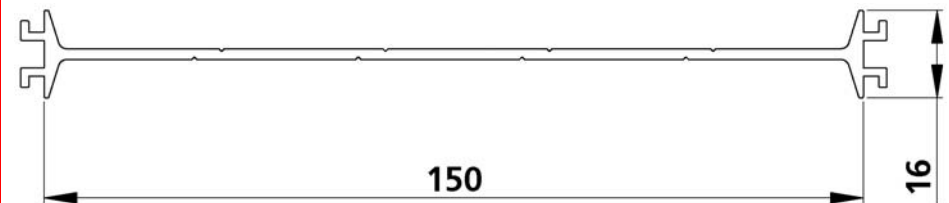


Finish: satin silver anodised
Lengths:

- ua2551 x 2400mm
- ua2551 x 1200mm

135° round corner profile

ua2551 post

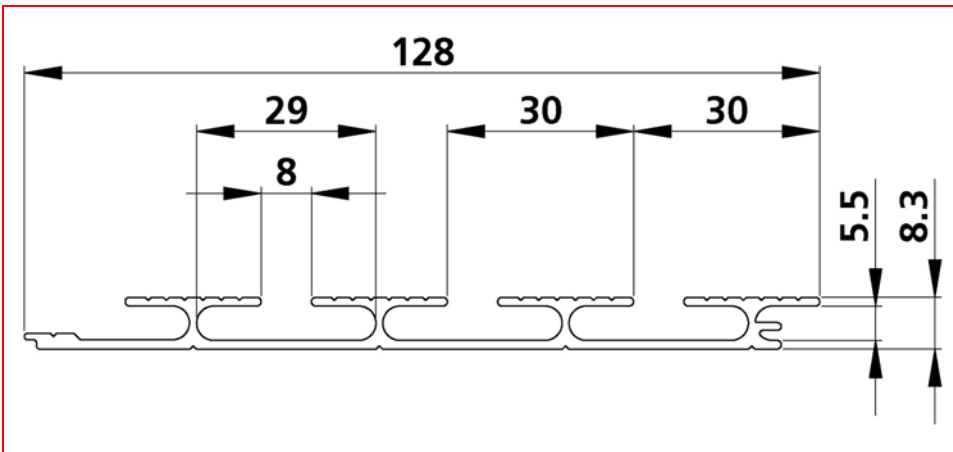


Finish: satin silver anodised
Lengths:

- ua4240 x 2348mm
- ua4240 x 848mm

150mm panel profile

ua4240 post



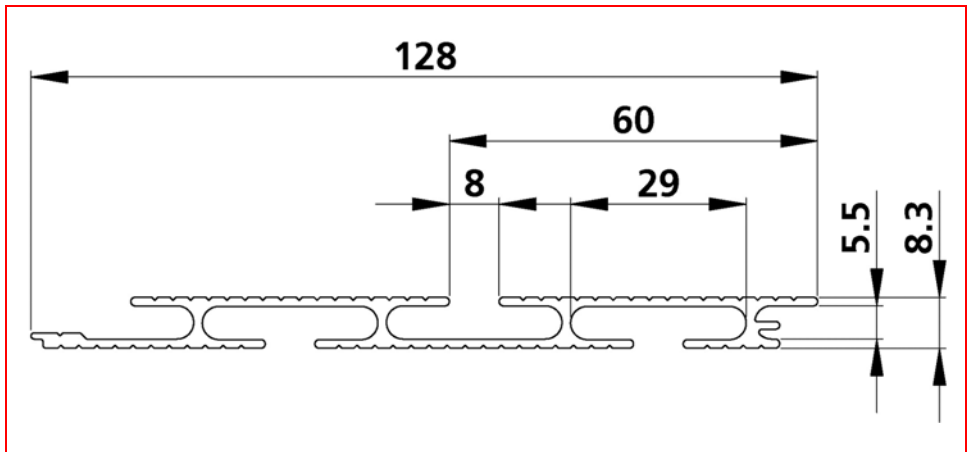
Finish: satin silver anodised

Lengths:

- ua4088 x 917mm
(to suit 900mm beams)
- ua4088 x 617mm
(to suit 600mm beams)

single sided slatwall profile

ua4088



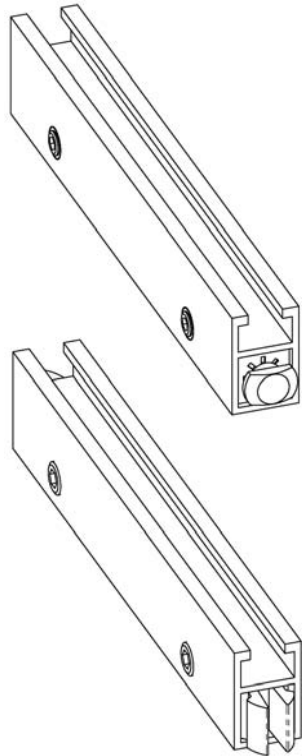
Finish: satin silver anodised

Lengths:

- ua4497 x 917mm
(to suit 900mm beams)
- ua4497 x 617mm
(to suit 600mm beams)

double sided slatwall profile

ua4497

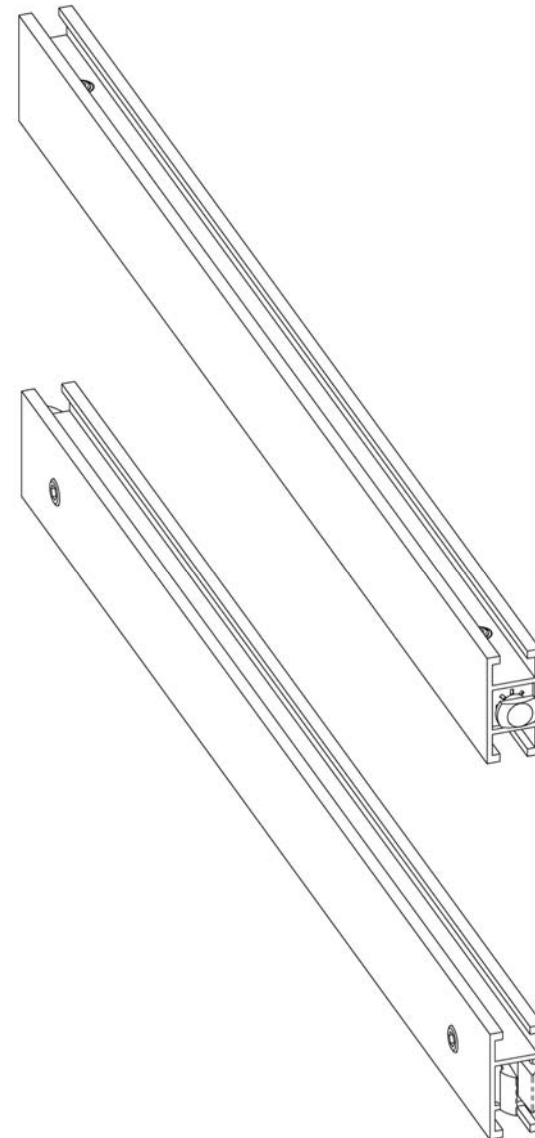


Finish: satin silver anodised
Lengths:

- ua2666 'b' x 150mm

one way profile
 available with linear pull or expanding profile locks

ua2666 beam

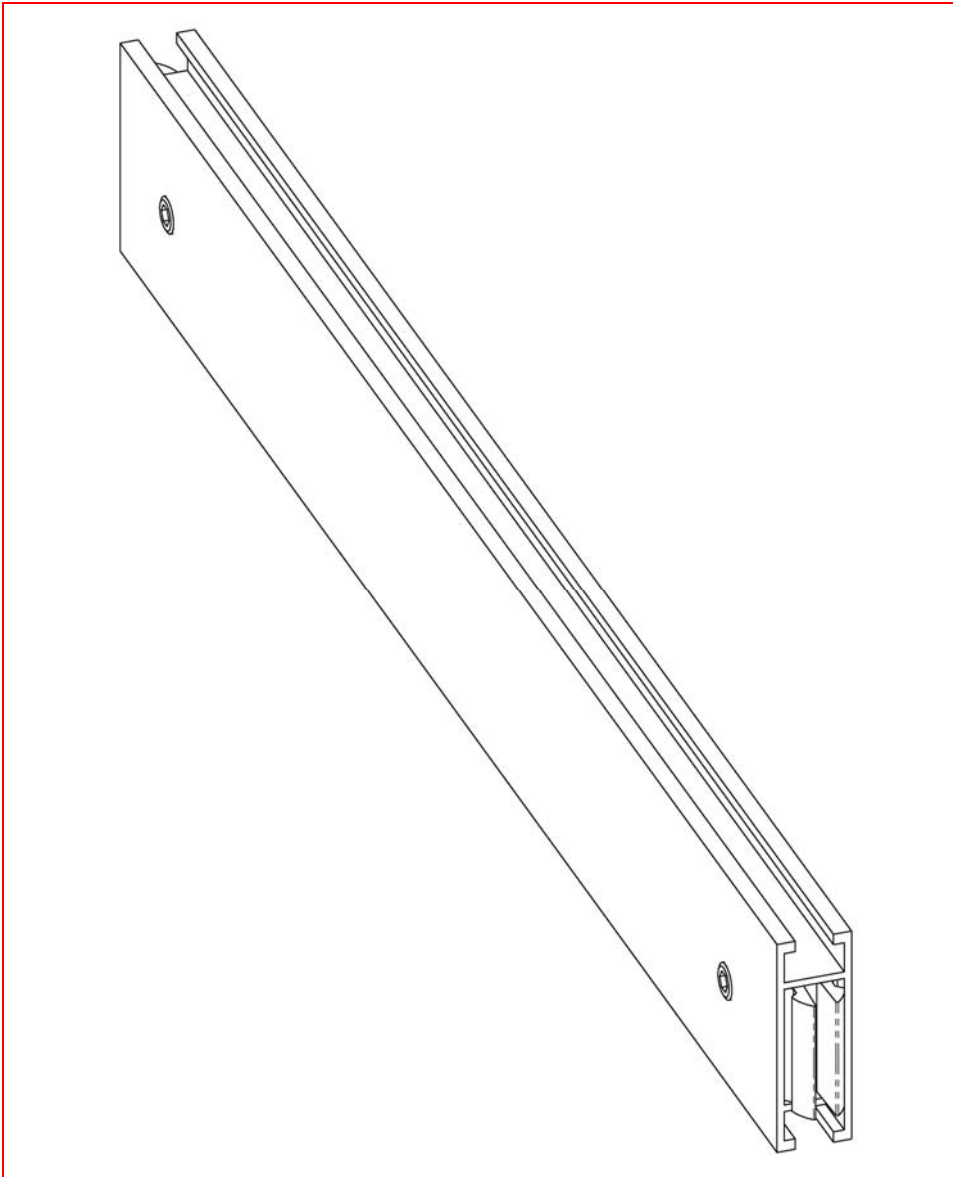


Finish: satin silver anodised
Lengths:

- ua2667 'b' x 120mm
- ua2667 'b' x 300mm
- ua2667 'b' x 600mm
- ua2667 'b' x 788mm
- ua2667 'b' x 900mm
- ua2667 'b' x 1200mm
- ua2667 'b' x 1500mm

two way profile
 available with linear pull or expanding profile locks

ua2667 beam

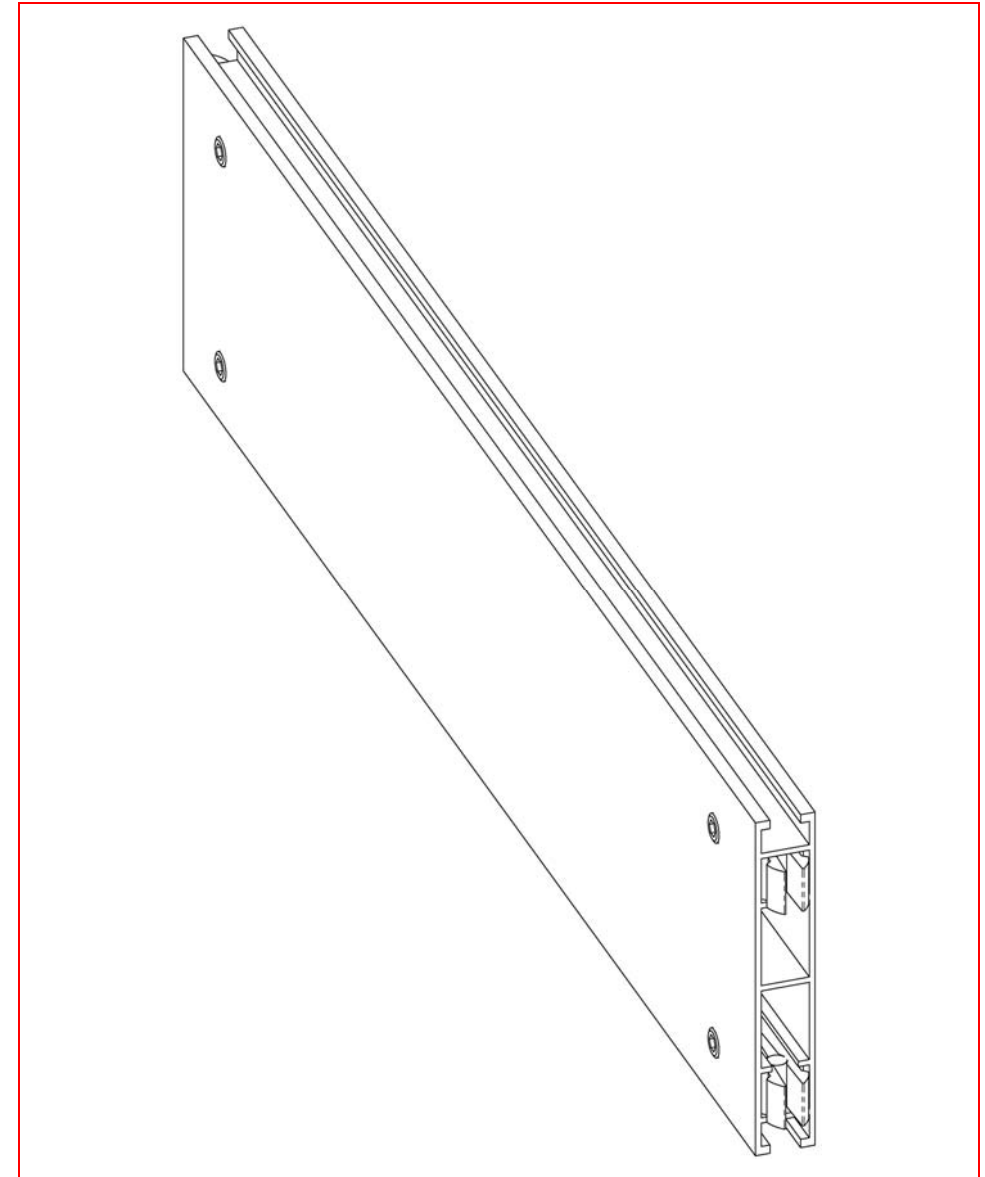


Finish: satin silver anodised
Lengths:

- ua4849 'b' x 788mm
- ua4849 'b' x 900mm
- ua4849 'b' x 1200mm
- ua4849 'b' x 1500mm

50mm extra wide two way profile
available with expanding profile locks

ua4849 beam

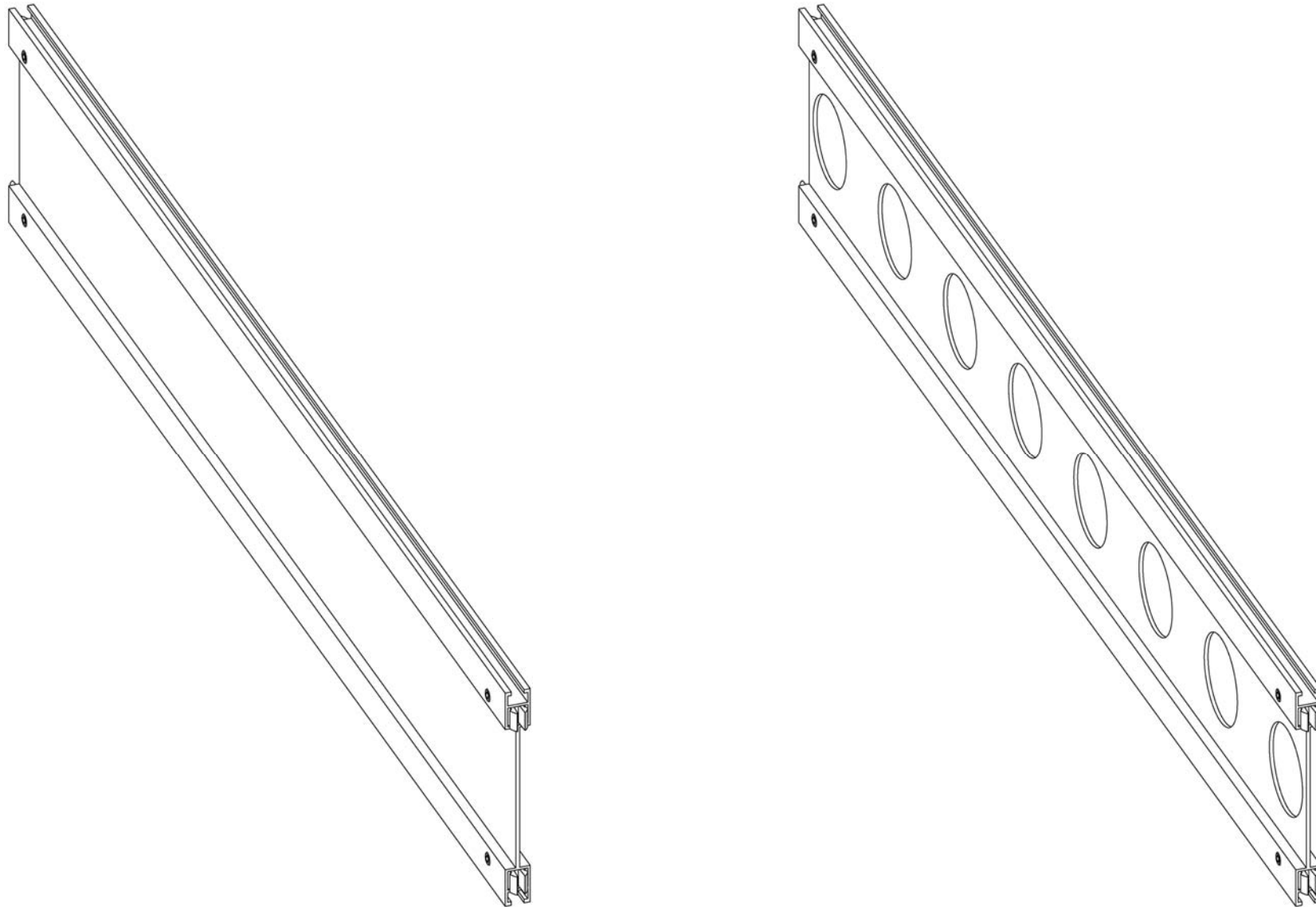


Finish: satin silver anodised
Lengths:

- ua4147 'b' x 788mm
- ua4147 'b' x 900mm
- ua4147 'b' x 1200mm
- ua4147 'b' x 1500mm

100mm extra wide two way profile
available with expanding profile locks

ua4147 beam



Finish: satin silver anodised
Lengths:

- ua3553 'b' x 900mm
- ua3553 'b' x 1200mm
- ua3553 'b' x 1500mm

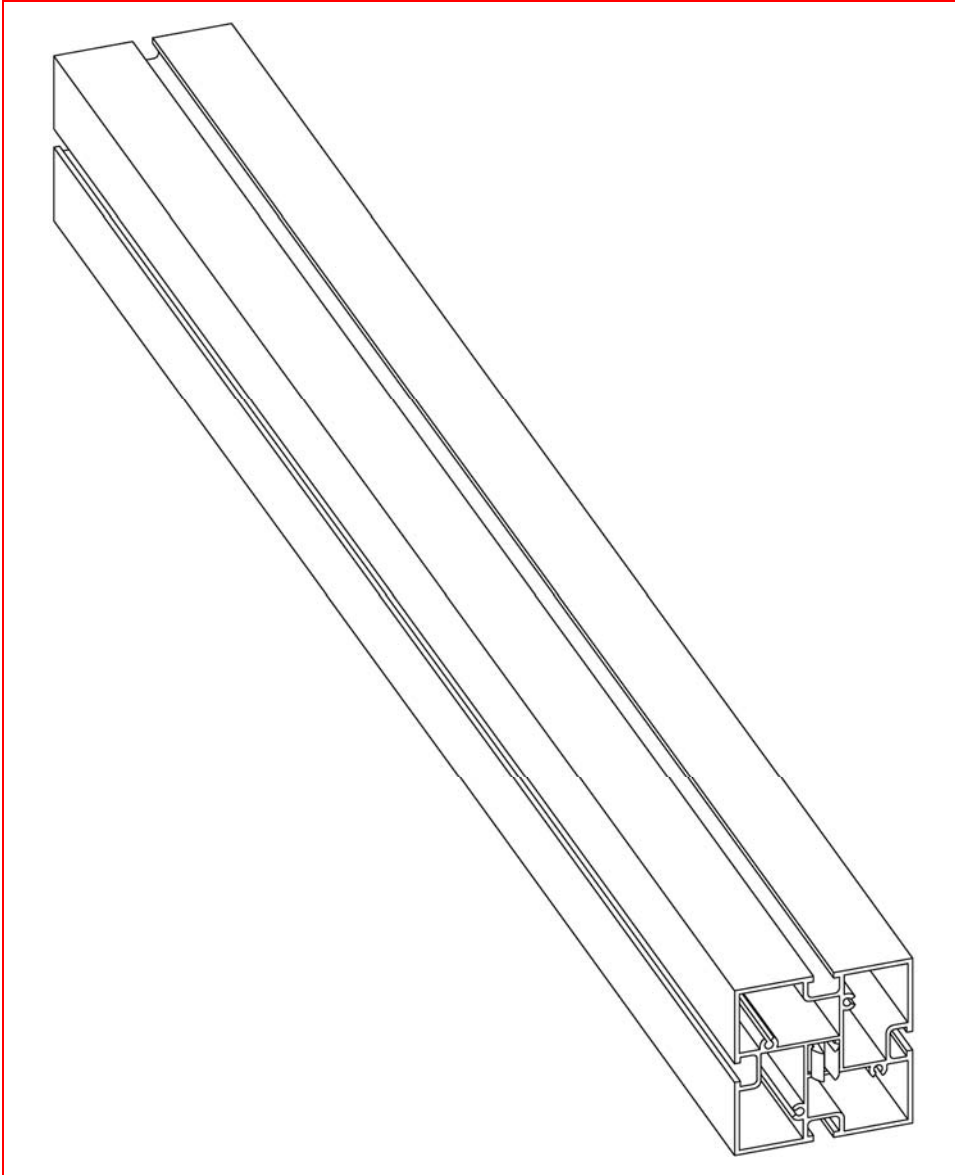
ua3553 beam

- ua3553-fh 'b' x 900mm
- ua3553-fh 'b' x 1200mm
- ua3553-fh 'b' x 1500mm

152mm two way "I" beam profile

available in regular style and with Ø60mm feature holes; available with expanding profile locks

ua3553-fh beam

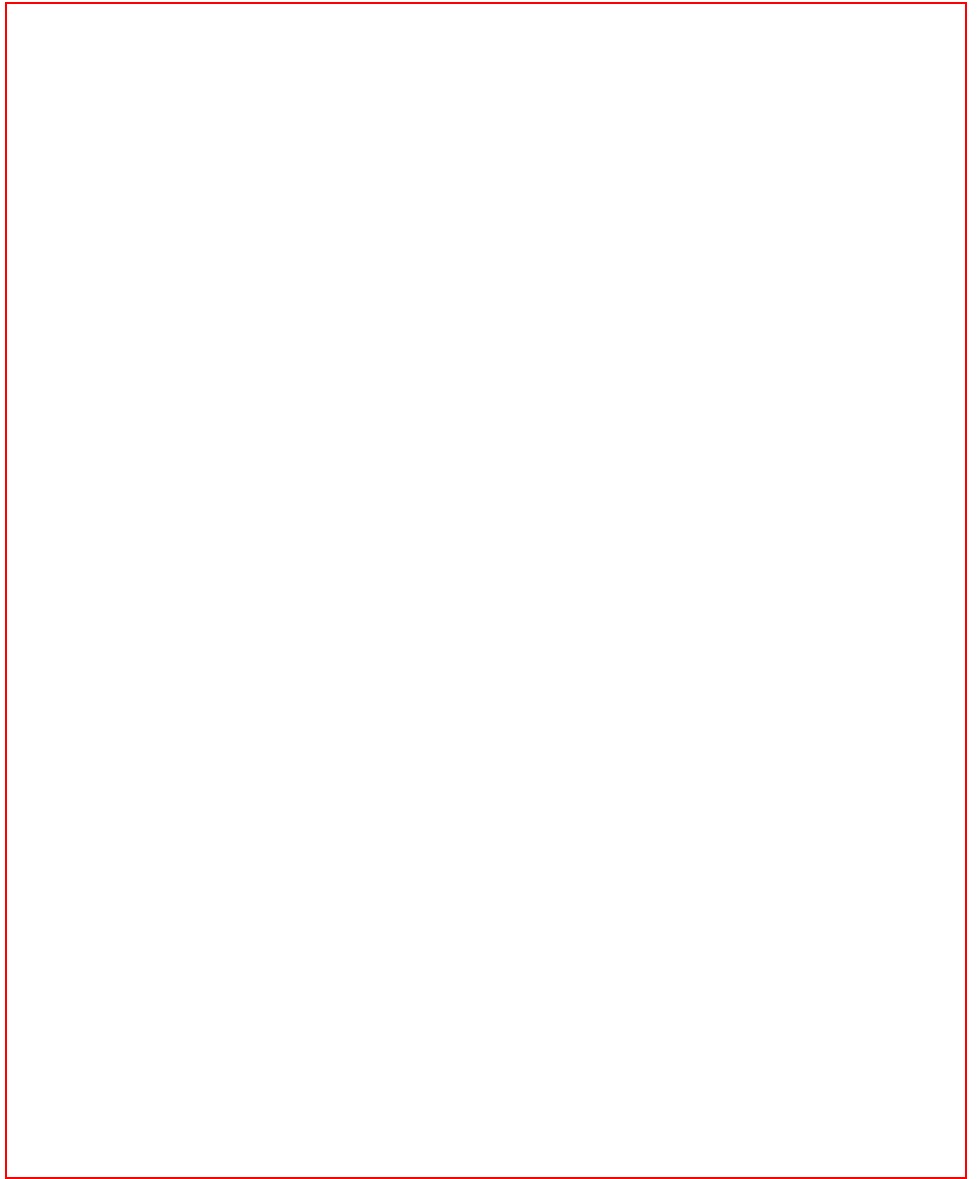


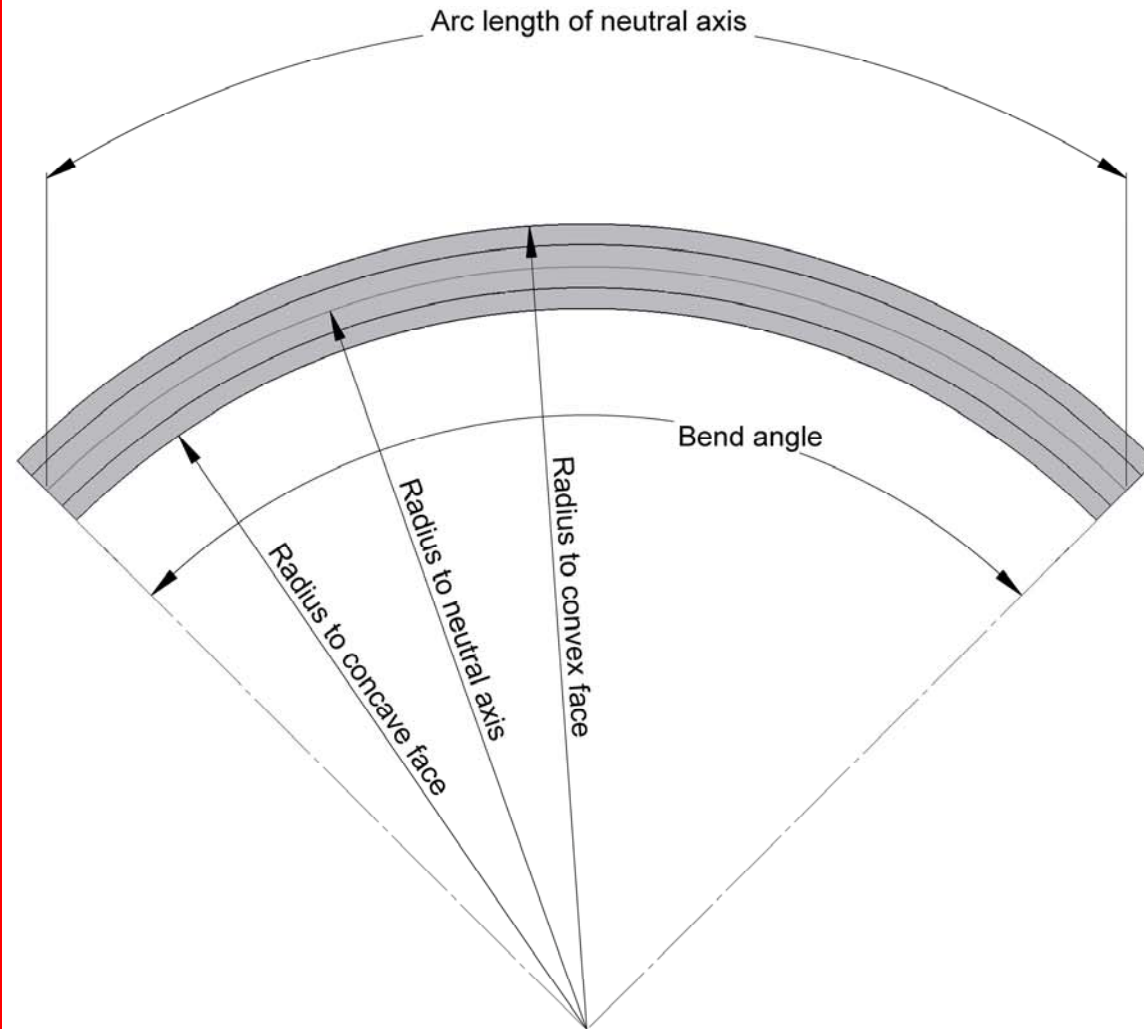
Finish: satin silver anodised
Lengths:

- ua4850 'b' x 788mm
- ua4850 'b' x 900mm
- ua4850 'b' x 1200mm
- ua4850 'b' x 1500mm

75mm four way square beam profile
available with expanding profile locks

ua4850 beam





Please specify at least two of the following criteria:

Bend angle
Bend radius
Arc length

Two criteria will determine the third, for example:

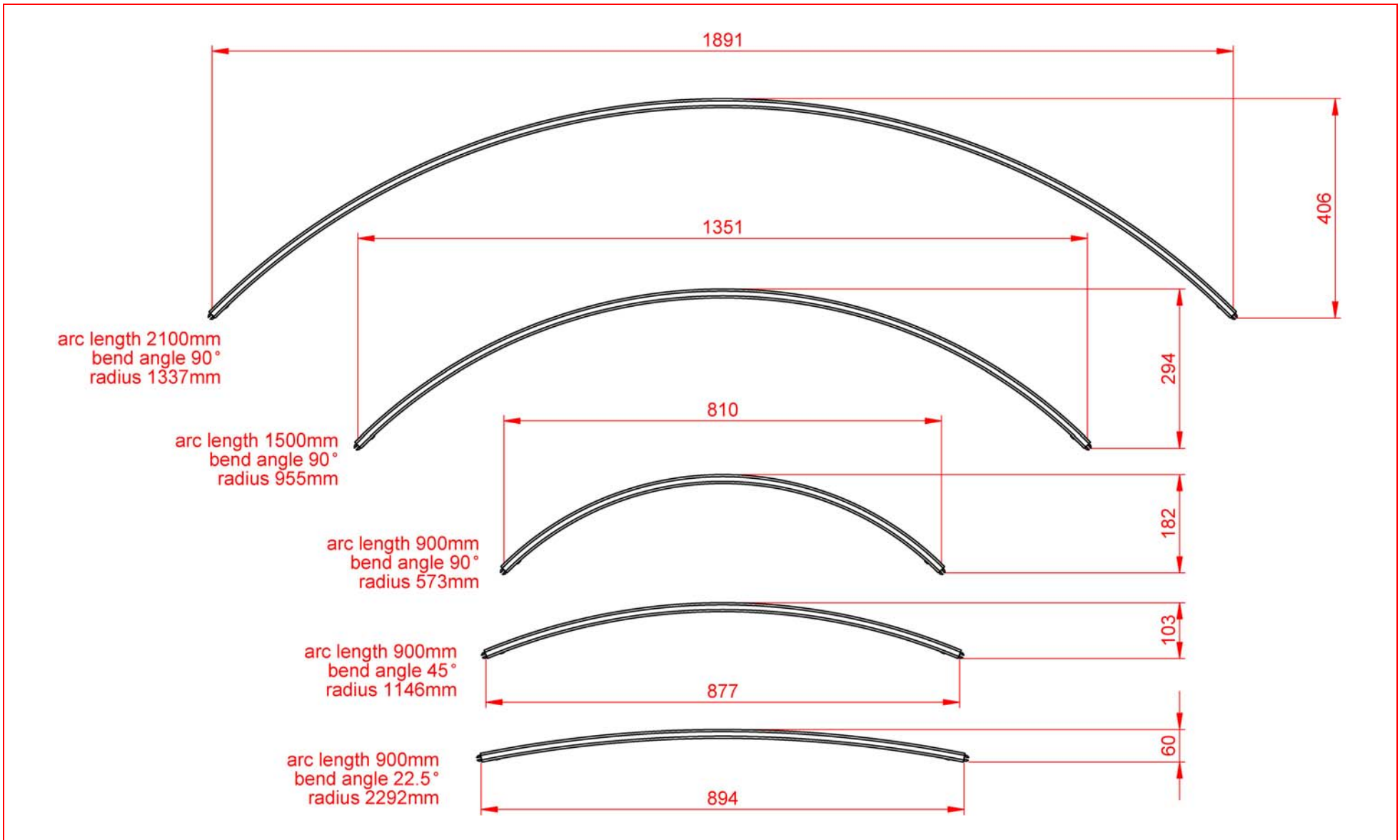
90° bend & 900mm arc length (NA) = 573mm radius (NA)

90° bend & 573mm radius (NA) = 900mm arc length (NA)

900mm arc length (NA) & 573mm radius (NA) = 90° bend

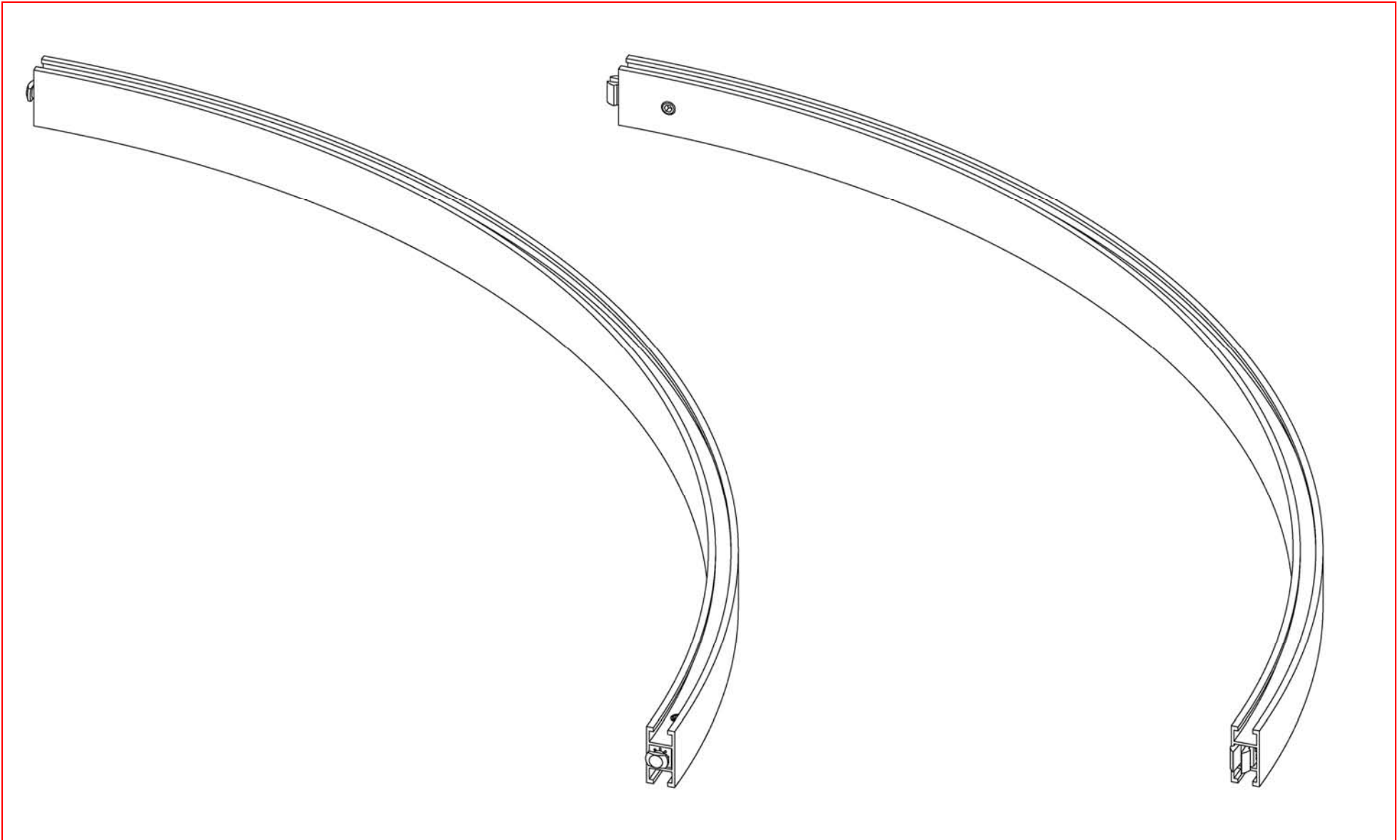
A selection of Unibox profiles are available as curved beams to various radii, bend angles, and arc lengths. Curved beams are specified as detailed above. Please see following pages for the standard range of curved beams.

curved profile beams



Curved profile beams are available in the range of standard sizes detailed above.

curved profile beams



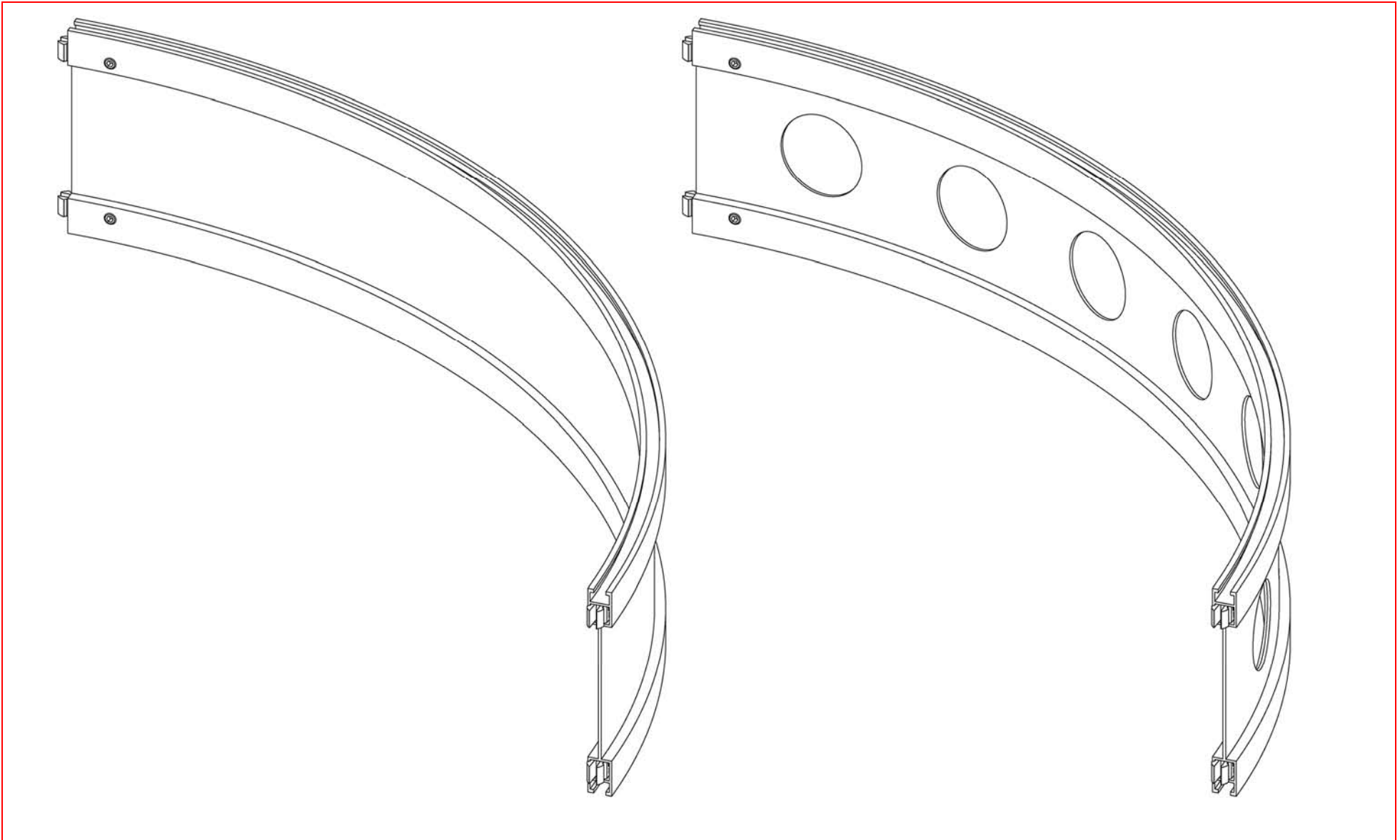
Finish: satin silver anodised

Note: all arc lengths and bend radii to neutral axis

Sizes:	• arc length 900mm	bend angle 90°	radius 573mm
	• arc length 900mm	bend angle 45°	radius 1146mm
	• arc length 900mm	bend angle 22.5°	radius 2292mm
	• arc length 1500mm	bend angle 90°	radius 955mm
	• arc length 2100mm	bend angle 90°	radius 1337mm

two way profile
available with linear pull or expanding profile locks

ua2667 curved beam



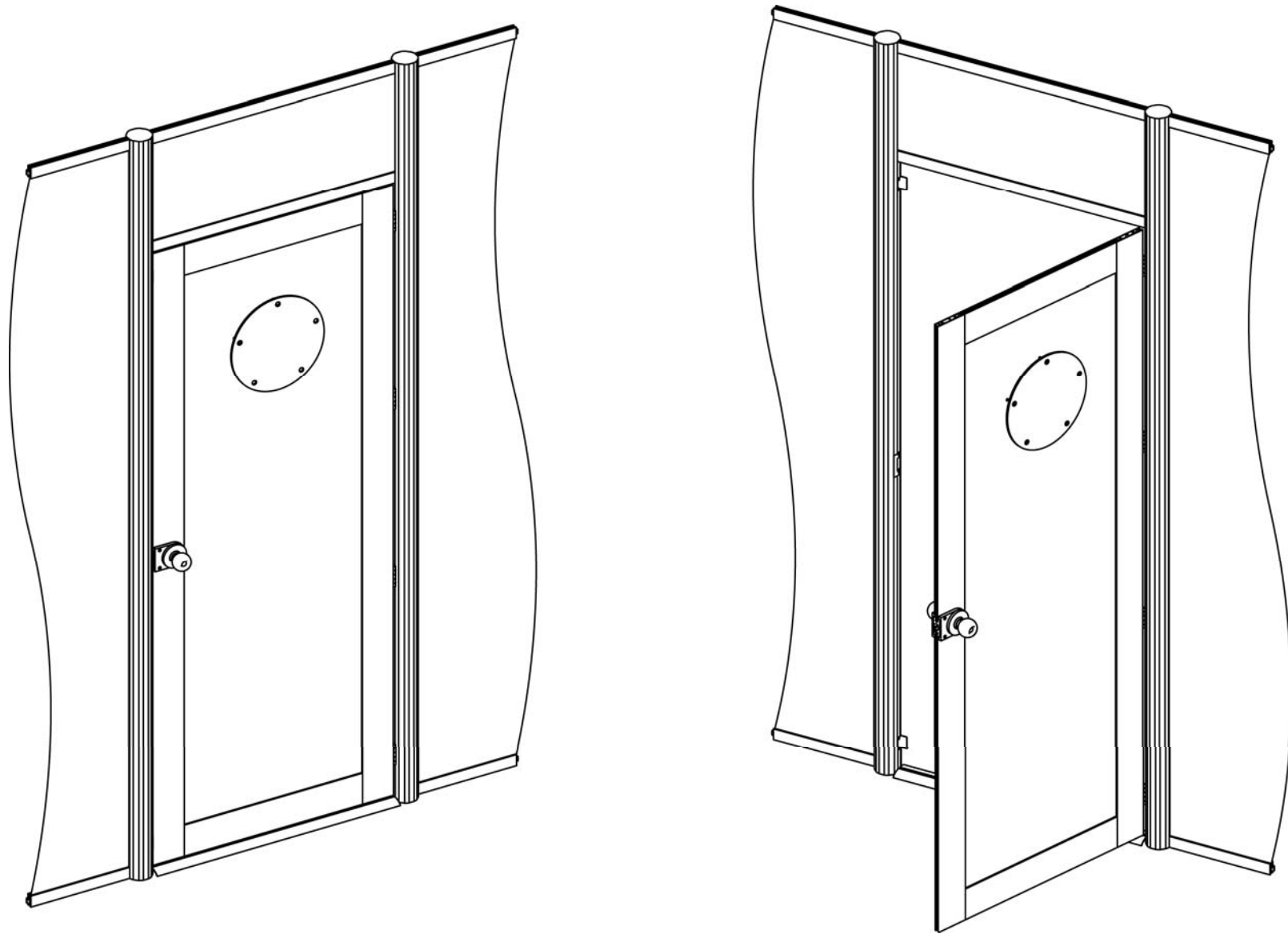
Finish: satin silver anodised

Note: all arc lengths and bend radii to neutral axis

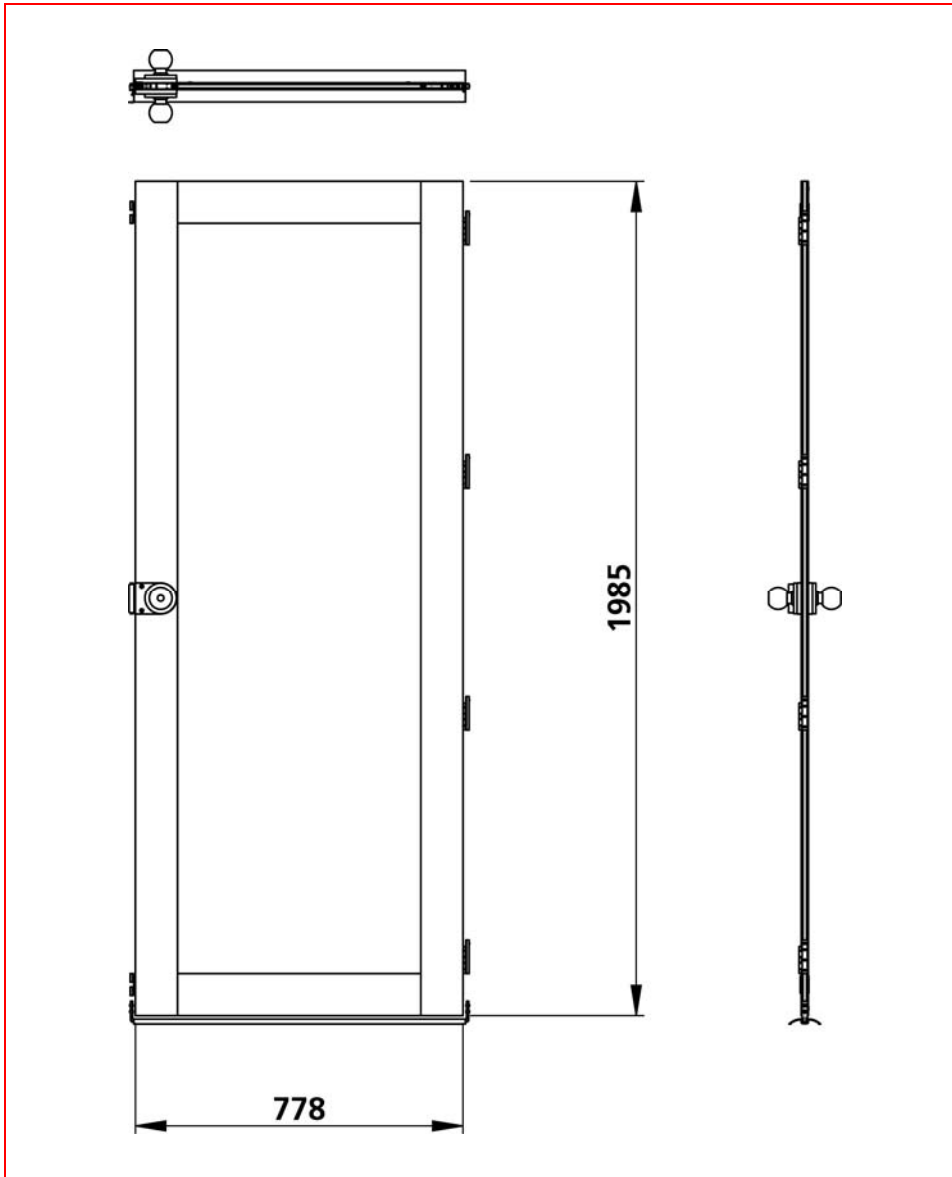
Sizes:	• arc length 900mm	bend angle 90°	radius 573mm
	• arc length 900mm	bend angle 45°	radius 1146mm
	• arc length 900mm	bend angle 22.5°	radius 2292mm
	• arc length 1500mm	bend angle 90°	radius 955mm
	• arc length 2100mm	bend angle 90°	radius 1337mm

152mm two way "I" beam profile
available in regular style and with Ø60mm feature holes; available with expanding profile locks

ua3553 curved beam
ua3553-fh curved beam



Access door kit

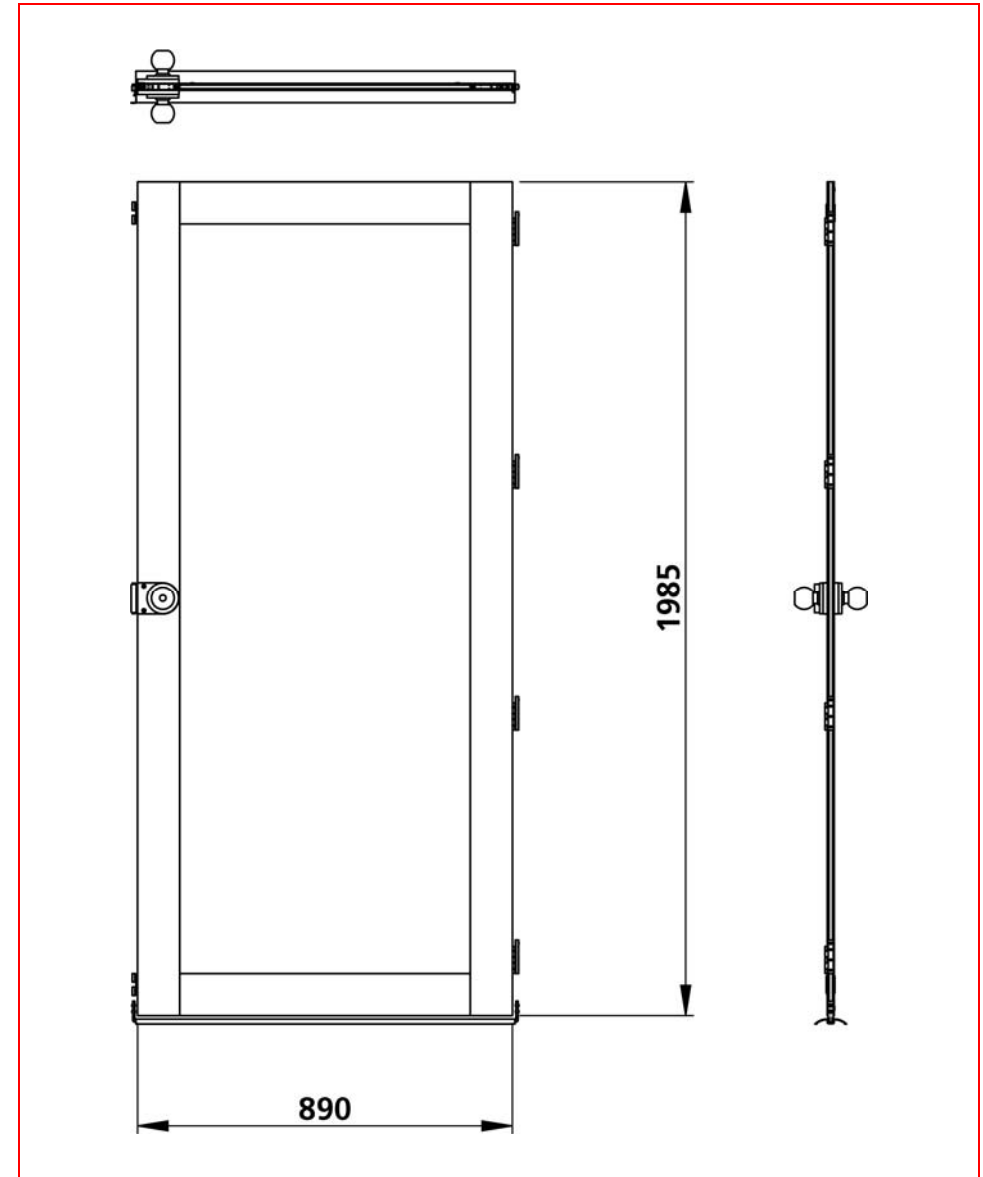


Finish: satin silver anodised
Access door kit includes:

- 1 x door leaf
- 4 x hinges
- 1 x threshold plate profile
- 1 x latch strike plate
- 2 x door stops

access door
ua4728-a

- To suit aperture size 788mm (w) x 2010mm (h)
- Supplied right hand hinged as shown
- Locking knob set handles are keyed to differ
- Infill panel size required: 593 x 1802mm maximum 8mm thick

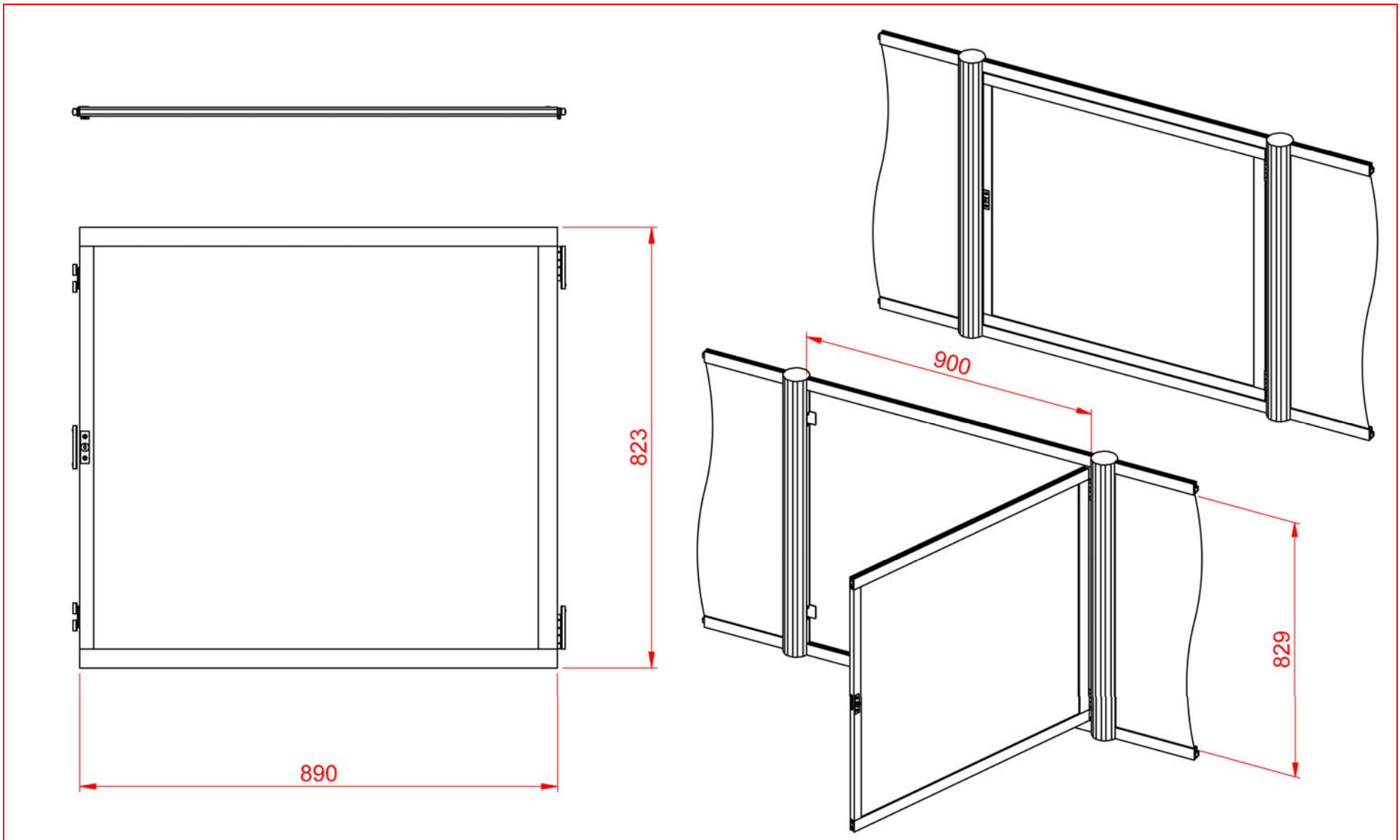


Finish: satin silver anodised
Access door kit includes:

- 1 x door leaf
- 4 x hinges
- 1 x threshold plate profile
- 1 x latch strike plate
- 2 x door stops

access door
ua4728-b

- To suit aperture size 900mm (w) x 2010mm (h)
- Supplied right hand hinged as shown
- Locking knob set handles are keyed to differ
- Infill panel size required: 705 x 1802mm maximum 8mm thick



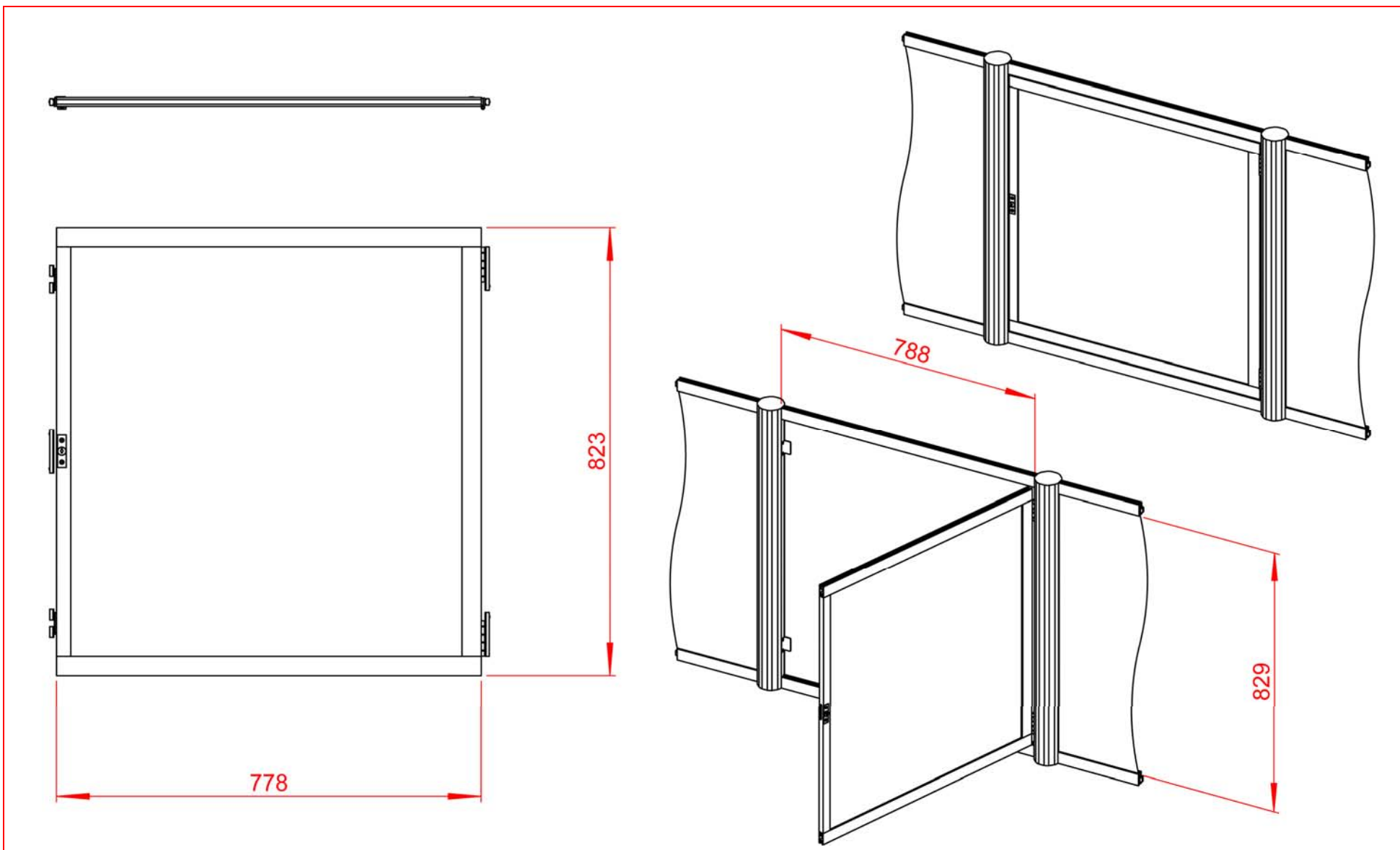
Finish: satin silver anodised
Straight cupboard door kit includes:

- 1 x door leaf
- 2 x hinges
- 1 x latch strike plate
- 2 x door stops

- To suit aperture size 900mm (w) x 829mm (h)
- Supplied right hand hinged as shown
- Cam locks are keyed alike
- Infill panel size required: 844 x 769mm maximum 8mm thick

straight cupboard door

ua7914



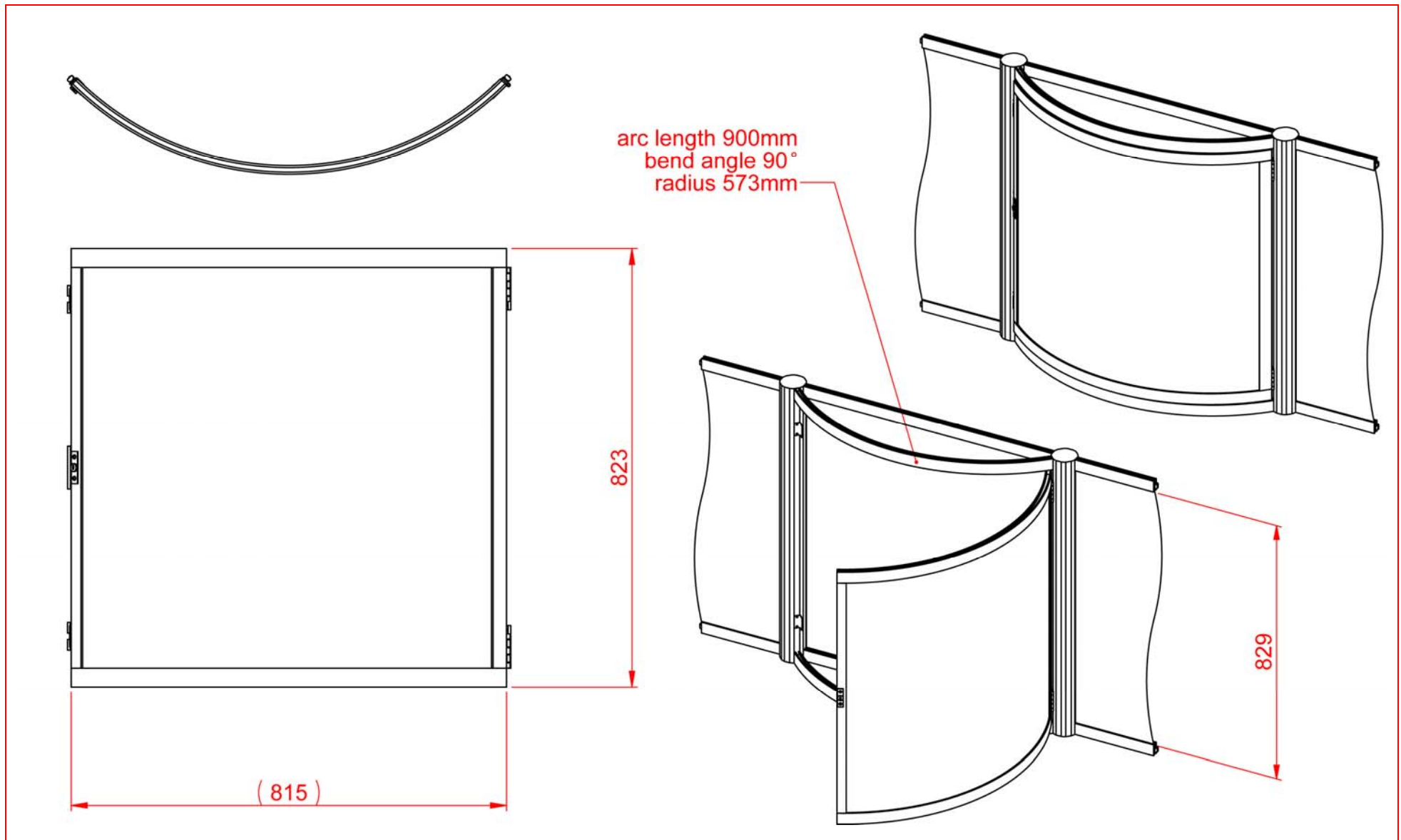
Finish: satin silver anodised
Straight cupboard door kit includes:

- 1 x door leaf
- 2 x hinges
- 1 x latch strike plate
- 2 x door stops

- To suit aperture size 788mm (w) x 829mm (h)
- Supplied right hand hinged as shown
- Cam locks are keyed alike
- Infill panel size required: 732 x 769mm maximum 8mm thick

straight cupboard door

ua7915



Finish: satin silver anodised
Curved cupboard door kit includes:

- 1 x door leaf
- 2 x hinges
- 1 x latch strike plate
- 2 x door stops

- To suit aperture using radius 573mm 90° bend x 829 (h)
- Supplied right hand hinged as shown
- Cam locks are keyed alike
- Infill panel size required: 850 x 769mm maximum 3mm thick

curved cupboard door

ua7916